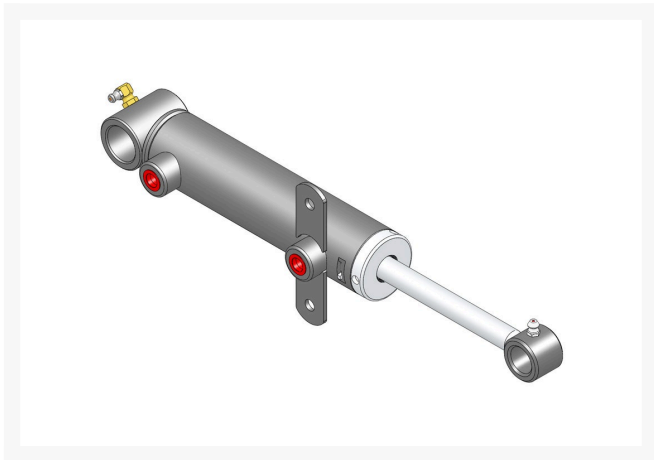




Hydraulic Cylinder

R107-2033



Replaces

R&R Products	R110-9033
Toro	107-2033, 110-9033

Specifications

Manufacturer	R&R Products
--------------	--------------

Fits Models

- R&R Products Reel Max 544D
- R&R Products Reel Max 744D
- R&R Products Reel Max 744LP
- Toro Reelmaster 5210-D
- Toro Reelmaster 5410-D
- Toro Reelmaster 5410G
- Toro Reelmaster 5510-D
- Toro Reelmaster 5610-D

Replacement Parts

R110-6460	Seal Kit - Fits R107-2033 & R107-2034 Cyl
R302-5	Fitting - Grease
R302-60	Zerk - Grease 90 Deg.

Japan Equipment

123 Main St. Apartment 12 Tokyo, 100-0001
987-456-3210

<https://japan.rrproducts.com/>