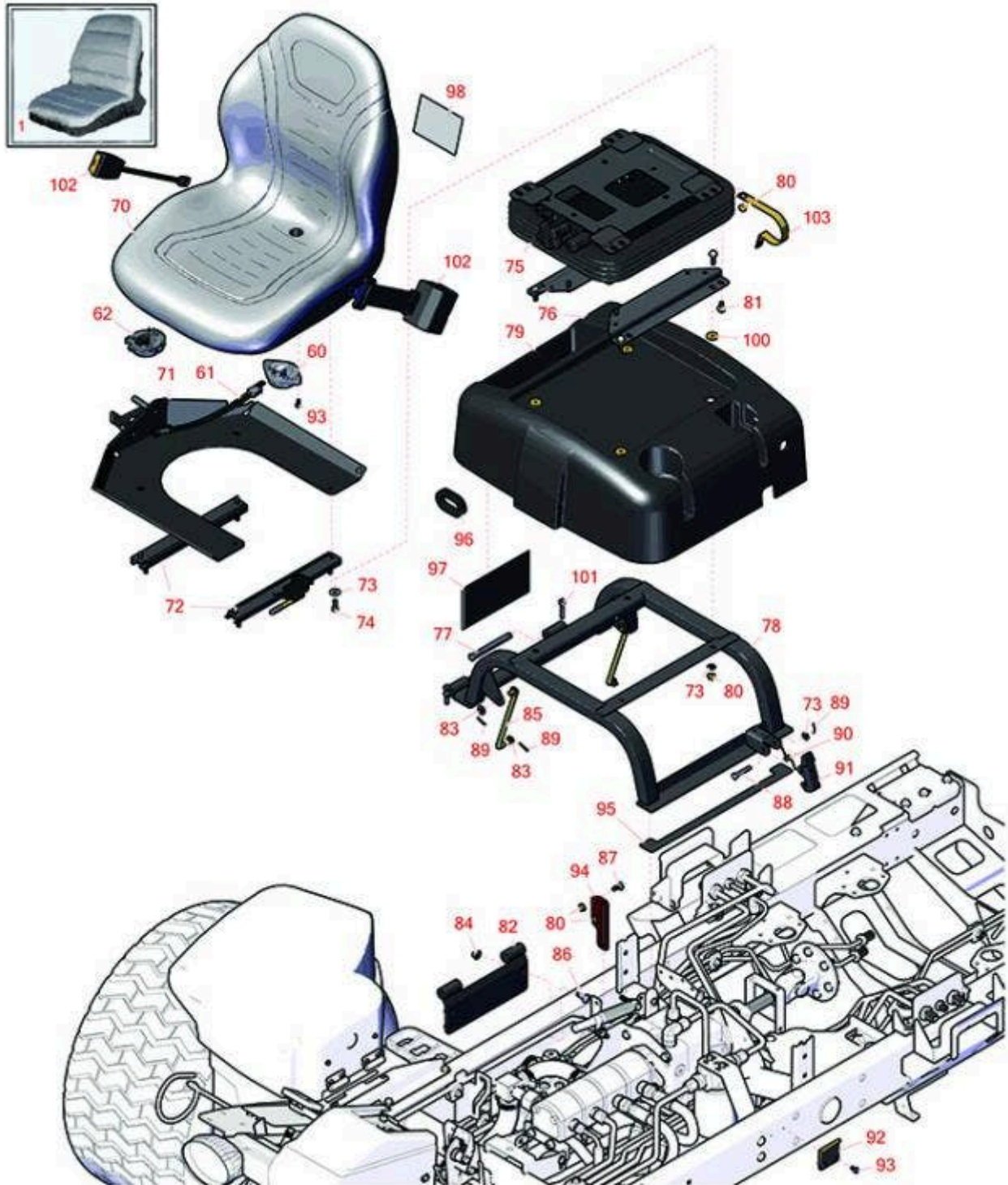




Replaces Toro Reelmaster 5610-D Parts

Traction Unit - Models 03690 & 03691

Seat



All original equipment manufacturers names and part numbers are used for identification purposes only, and we are in no way implying that our products are original equipment parts. Prices subject to change without notice.



Replaces Toro Reelmaster 5610-D Parts

Traction Unit - Models 03690 & 03691
Seat



Item No	R&R Part No.	OEM Part No.	Description	Qty Req	Order Quantity
---------	--------------	--------------	-------------	---------	----------------

Overhaul Kits and Service Tools

1	R120-5179	120-5179	Large Seat Cover - Gray	1	
---	------------------	----------	-------------------------	---	--

Gauges and Controls

60	R92-6282	62-6282, 92-6282	Switch - Kill - Seat	1	
61	R108-8657	108-8657	Harness-Wire, Seat	1	
62	R151541	R&R ON, LY	Delta Seat Switch - Twist Mount 1 Pole Normally Open	1	

Other Parts Available

70	RMXB200GY	100-3187, 104-4620, 104-7620, 21-4880, 351-59, 351-76, 49-8130, 63-9410, 66-5400, 75-9190, 750105, 92-6280, MXB200GY	Milsco Seat XB200 - Grey	1	
----	------------------	--	--------------------------	---	--

Tech Note: This seat will not accept seat belts:

*Detail Description: The Milsco XB200 high back seat features a comfortable vacuum formed, waterproof vinyl cover with central drain hole. Ergonomic foam cushion provides operator comfort. Cover will not crack or peel. Rugged blow-molded plastic frame construction. Allows for Twist-in operator presence switch. Seat: 19in W x 24in D x 21in H. Multiple pre-drilled mounting patterns. Grey. Made in U.S.A.
Please note: Due to excessive air freight charges, this item will be shipped ground freight.:*

71	R108-7591-03	108-7591-03	Mount-Seat	1	
----	---------------------	-------------	------------	---	--

All original equipment manufacturers names and part numbers are used for identification purposes only, and we are in no way implying that our products are original equipment parts. Prices subject to change without notice.



Replaces Toro Reelmaster 5610-D Parts

Traction Unit - Models 03690 & 03691
Seat



Item No	R&R Part No.	OEM Part No.	Description	Qty Req	Order Quantity
72	R150224	106-7847 & 107-7959, 107-7959, 119-0654 & 119-0655, 133-8896, 192-8990 & 92-8991, 92-8990, 92-8990/92-8991, 92-8991	Adjusters - Seat (Set of 2)	1	
73	R453009	01-166-0400, 24-10-BD, 24-9-AD, 32-9650, 3256-2, 3256-23, 3256-3, 3256-67, 3290-217, 3556-3, 4-2390, 7-0152	Washer - Flat 5/16 SAE	4	
74	R434024	3274-12	Bolt - Soc HD Cap 5/16-18 x 3/4	4	
75	R110-8851	110-8851	Mechanical Suspension - Seat	1	
76	R108-6590-03	108-6590-03	Seat Bracket - Lower	2	
77	R283-83	283-83, 42194, 93-5343	Pin - Clevis	2	
78	R108-7577-03	108-7577-03	Seat Base Assy	1	
79	R108-1757	108-1757	Cover-Seat Base	1	
80	R104-8300	104-8300, 104-8300 , 119-4041	Locknut - 5/16-18 Flanged Y/Zinc	10	

All original equipment manufacturers names and part numbers are used for identification purposes only, and we are in no way implying that our products are original equipment parts. Prices subject to change without notice.



Replaces Toro Reelmaster 5610-D Parts

Traction Unit - Models 03690 & 03691
Seat



Item No	R&R Part No.	OEM Part No.	Description	Qty Req	Order Quantity
81	R33114-016	33114-016, 42-9230, 42-9270, 48-7680, 48-7690, 48-7700	Bolt - Hx HD 8mm x 1.25 x 15	4	
82	R108-7582-03	108-7582-03	Pivot Plate Assy	1	
83	R453011	01-166-0100, 01-166-0120, 01-166-0270, 01-166-0500, 01-166-0600, 01-166-0620, 132-4593, 2356-3, 237-12, 24-10-AD, 24-11-AD, 24-11-BD, 24-12-AD, 24-12-BD, 30-9310, 32-8190, 3256-24, 3256-3, 3256-36, 3256-4, 453011, 47-9950, 48-9220, 513458, 7-0052	Washer - Flat 3/8 SAE Y/Zinc	4	
84	R104-8301	104-8301, 104-9301, 109-6658, 133-7570	Locknut - 3/8-16 Nylon Flanged	4	
85	R98-0917	98-0917	Rod-Prop	2	
86	R3231-27	3231-1, 3231-27	Bolt - Carriage 3/8-16 x 7/8	4	

All original equipment manufacturers names and part numbers are used for identification purposes only, and we are in no way implying that our products are original equipment parts. Prices subject to change without notice.



Replaces Toro Reelmaster 5610-D Parts

Traction Unit - Models 03690 & 03691

Seat



Item No	R&R Part No.	OEM Part No.	Description	Qty Req	Order Quantity
87	R3230-1	01-173-0506, 3230-1, 3230-20, 900037P	Bolt - Carriage 5/16-18 x 3/4	2	
88	R94-3829	94-3829	Pin - Clevis	1	
89	R3290-307	3290-307	Pin-Hair	4	
90	R104-4821	104-4821	Spring - Torsion - Seat Base	1	
91	R110-8971	110-8971	Latch	1	
92	R110-8972	110-8972	Hook-Latch	1	
93	R12-3270	12-3270, 30-0700, 32104-17, 9266714, Aug-80	Bolt - Hex Washer 1/4-20 x 1/2	2	
93	R32144-10	32140-81, 32144-10, 32144-3, 34-140-AMVD	Bolt - 1/4-20 x 3/4 Serrated Hx Wshr	2	
94	R108-7584-01	108-7584-01	Plate-Guide, Rod	1	
95	R110-5255	110-5255	Bumper - Base - Seat	2	
96	R240-12	240-12	Grommet	1	
97	R114-8891	110-0996, 114-8890, 114-8891	Decal- Reel Speed	1	
98	R110-0990	110-0990	Decal- Service	1	
100	R366653	71-9310	Spacer	4	

All original equipment manufacturers names and part numbers are used for identification purposes only, and we are in no way implying that our products are original equipment parts. Prices subject to change without notice.



Replaces Toro Reelmaster 5610-D Parts

*Traction Unit - Models 03690 & 03691
Seat*



Item No	R&R Part No.	OEM Part No.	Description	Qty Req	Order Quantity
101	R3272-11	01-151-0010, 01-151-0040, 28-18-D, 28-28-D, 3211-72, 3272-11	Pin - Cotter	2	
102	R150848	100-4928, 106-7848, 110-0413, 110-9720, 95-8910	Belt-Seat	1	
103	R2412-133	01-651-0160, 2412-133	Clamp	2	

All original equipment manufacturers names and part numbers are used for identification purposes only, and we are in no way implying that our products are original equipment parts. Prices subject to change without notice.