

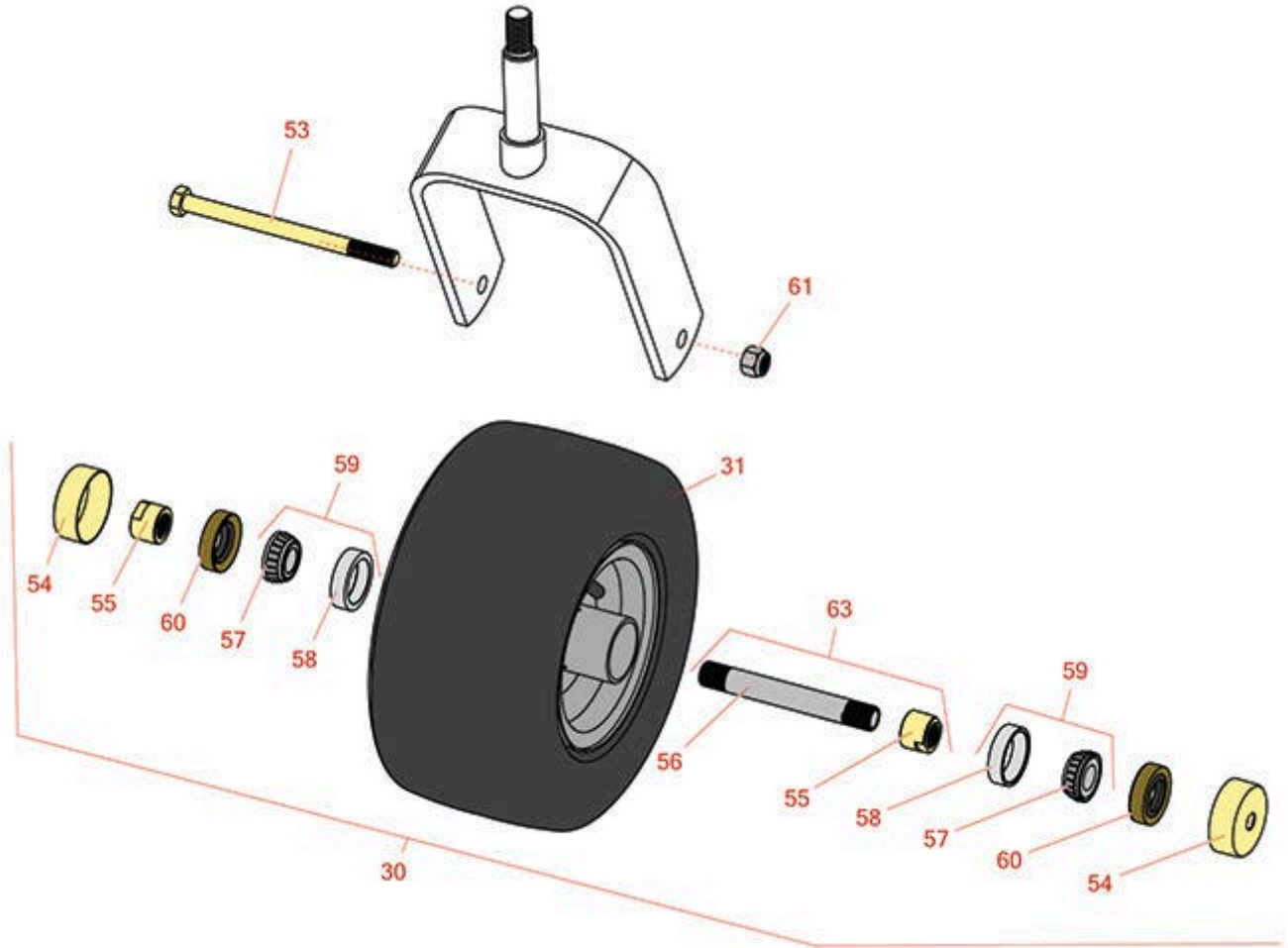


# Replaces Exmark Quest SP Series Parts

Zero-Turn Mower with 48 in Deck - Models QSP20BV483,

QSP20KAS483

Caster Wheel



All original equipment manufacturers names and part numbers are used for identification purposes only, and we are in no way implying that our products are original equipment parts. Prices subject to change without notice.



# Replaces Exmark Quest SP Series Parts

Zero-Turn Mower with 48 in Deck - Models QSP20BV483,

QSP20KAS483

Caster Wheel



Item No	R&R Part No.	OEM Part No.	Description	Qty Req	Order Quantity
<b>Tires</b>					
30	<b>R103-5189</b>	103-3785, 103-5189	Tire & Wheel - 13x5.00-6 Smooth Pneumatic 4 Ply	2	
31	<b>RCT5120211</b>	1-633002	Tire - 13x5.00-6 Nhs (4 Ply) Carlisle Smooth	0	
<b>Other Parts Available</b>					
53	<b>R325-37</b>	325-36, 325-37	Bolt - Hex Head 1/2-13 x 7 Grade 5	2	
54	<b>R103-2768</b>	103-2768	Guard - Seal	4	
55	<b>R103-3051</b>	103-3051	Spacer - Nut - Hardened	4	
56	<b>R103-3155</b>	103-3155	Axle - Caster	2	
57	<b>R254-78</b>	1-633585	Tapered Bearing Cone	4	
58	<b>R254-79</b>	1-633584, R & R ONLY	Cup - Bearing	4	
<i>Detail Description: Use R254-79M installation mandrel to properly install race.:</i>					
59	<b>R500534</b>	1-633585, R & R ONLY	Bearing - with Cup	4	
<i>Detail Description: Kit includes: 1 ea R254-78- Bearing Cone &amp; R254-79 Bearing Cone:</i>					
60	<b>R103-0063</b>	103-0063	Seal - Grease	4	
61	<b>RF5003</b>	3296-23	Locknut - ESNA 1/2-13	2	
63	<b>R126-5360</b>	126-5360	Axle- Caster w/Spacer Nut	2	

All original equipment manufacturers names and part numbers are used for identification purposes only, and we are in no way implying that our products are original equipment parts. Prices subject to change without notice.